



THE UNITED STATES PATENT AND TRADEMARK OFFICE

Applicant: Dovek et al.
Assignee: Maxtor Corporation
Title: FLUX-GUIDED MAGNETORESISTIVE HEAD USING A PERPENDICULAR RECORDING MEDIA
Serial No.: 09/067,795 Filed: April 28, 1998
Examiner: Korzuch, W. Group Art Unit: 2754
Atty. Docket No.: 3123-276

ASSISTANT COMMISSIONER FOR PATENTS
Washington, D.C. 20231

**SUBMISSION OF PROPOSED DRAWING AMENDMENT
FOR APPROVAL BY EXAMINER**

Attached is a copy of original Figures 9 and 11 with red ink markings showing the proposed changes to the drawings in the above-identified application in accordance with 37 C.F.R. § 1.123. Also attached is a proposed new Figure 6A. The Examiner's approval for these changes is requested.

I hereby certify that this correspondence is being deposited with the United States Postal Service as First Class Mail in an envelope addressed to: Assistant Commissioner for Patents, Washington, D.C. 20231,
on June 18, 1999.
D Sigmond
David M Sigmond
Attorney for Applicant
6, 16, 99
Date of Signature

Respectfully submitted,

D Sigmond

David M. Sigmond
Attorney for Applicant
Reg. No. 34,013
(303) 702-4132
(303) 678-3111 (fax)

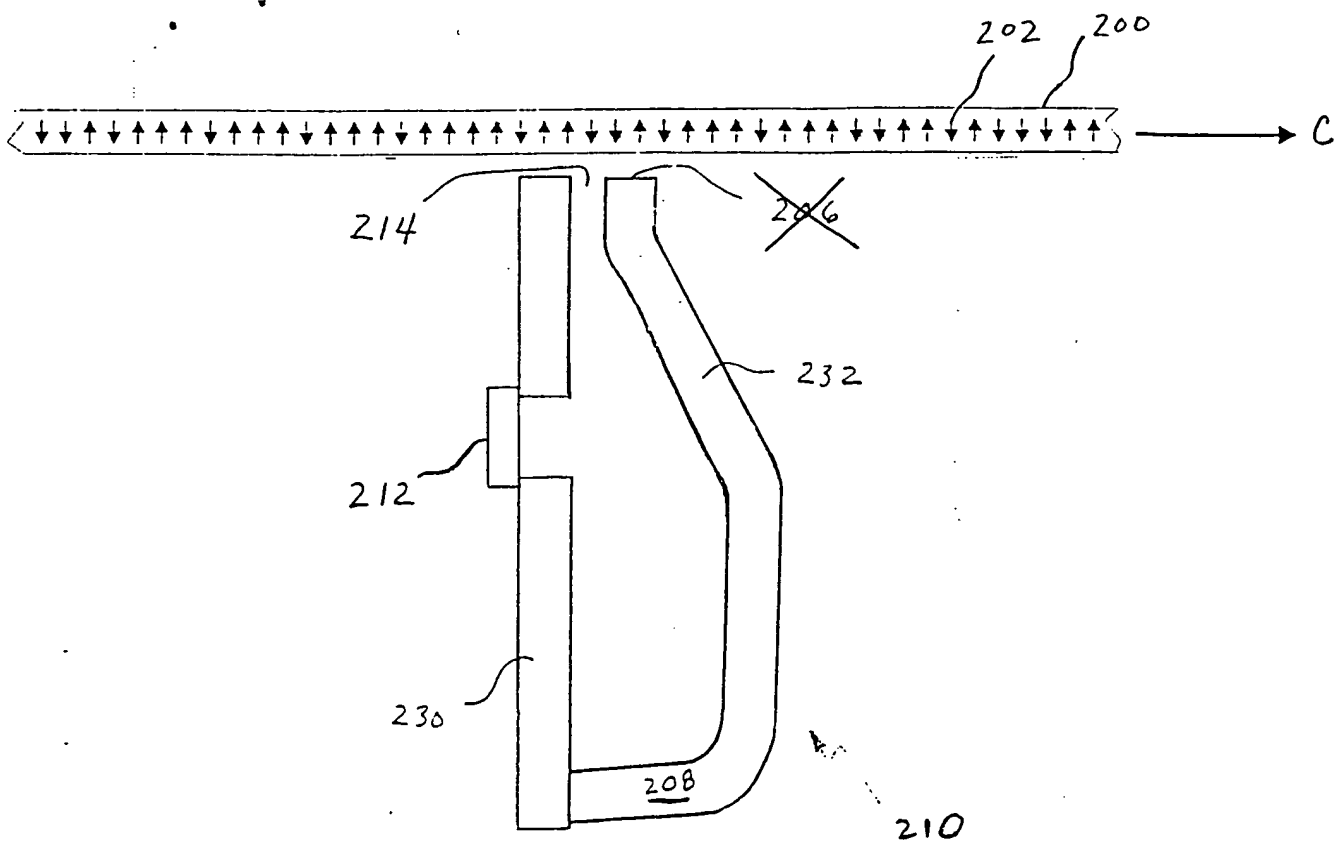


FIG. 9

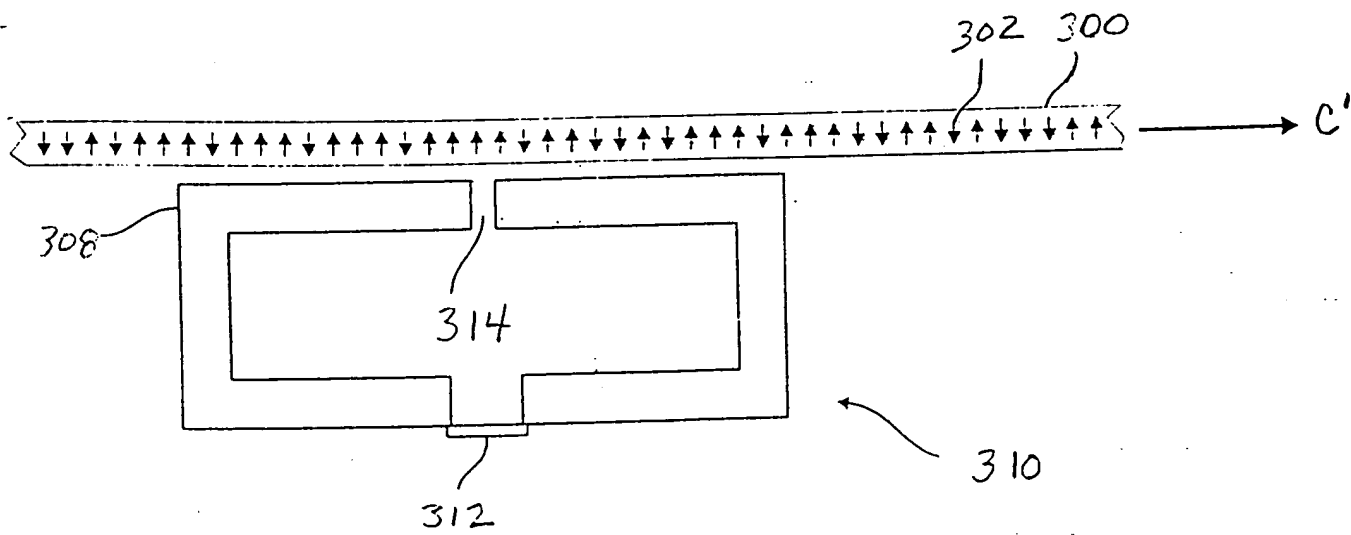


FIG. 10

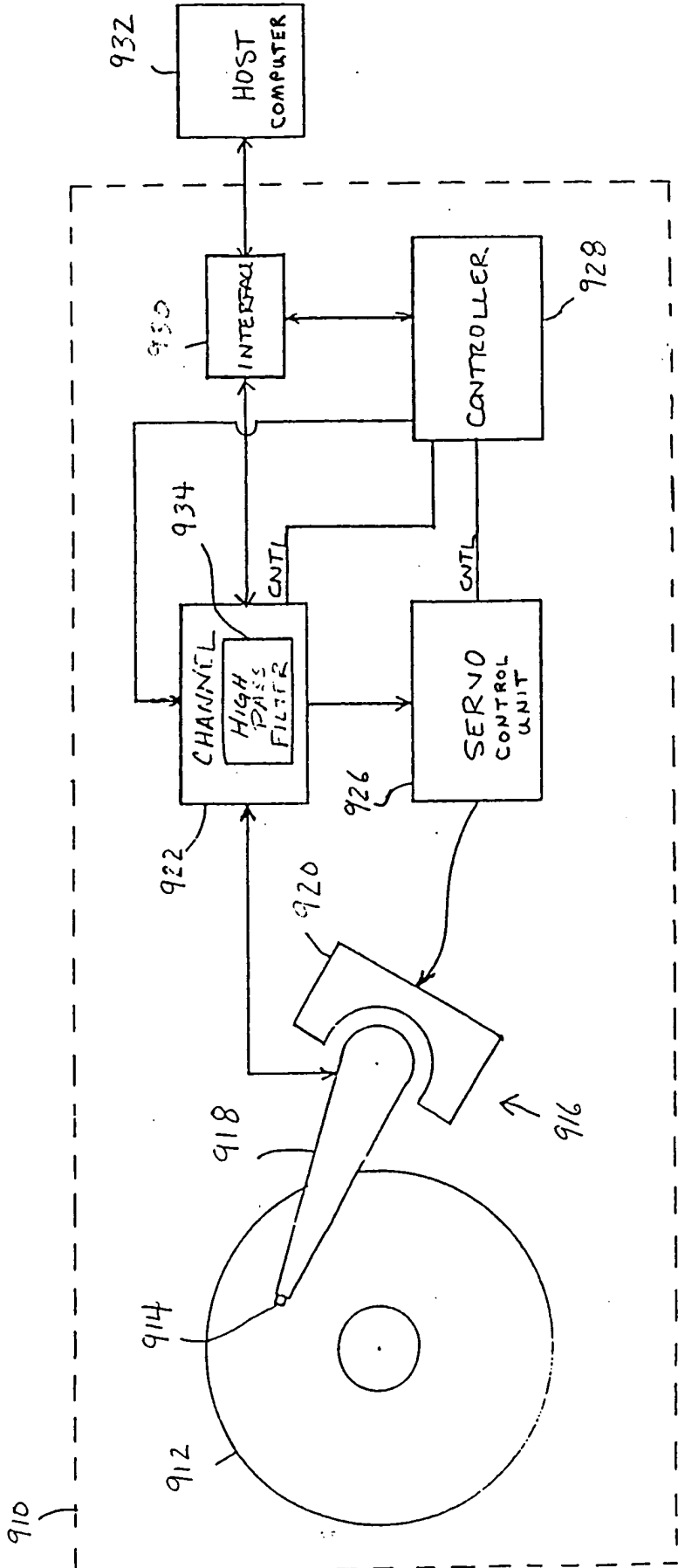


FIG. 11

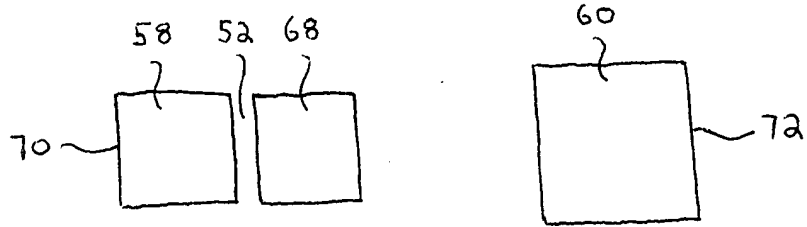


Fig. 6A